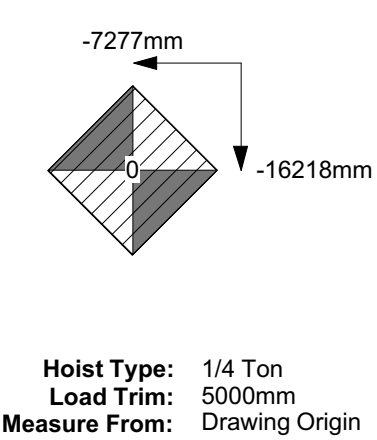
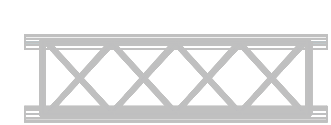


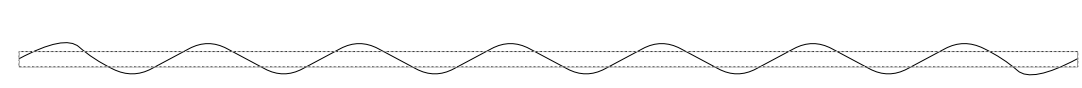
Lodestar 1/2T Chain Motor
 Orientation : Motor Up
 Position : FOH Truss
 Number : 2



Lodestar 1/4T Chain Motor
 Orientation : Motor Up
 Position : US Truss
 Number : 4



Prolite H30V Truss
 Position : US Truss
 Length : 10m Span
 (2 x 3m and 2 x 2m Sections)



11.1m x 7.8m Full Black

Position : US Scaff
 Cloth Number : 304

8m x 8m Half Black

Position : SR Scaff
 Cloth Number : 201

8m x 8m Half Black

Position : SL Scaff
 Cloth Number : 202

1.4m x 6m Hard Maskers

Quantity : 3
 Position : USL and USR of Full Black
 and DSL between wall and half black

Production Title	Christmas at the Conservatoire 2017
Drawing Title	Full Rig Plan
Director	Grant Anderson
Director	Gordon Adams
Drawn By	James McQueen
Scale	1 : 25 @ A0
Stevenson Hall	Drawing No.
Date	10th December 2017
File Name	CHRISTMAS AT THE Conservatoire v4.vwx
Sheet 1 of 1	