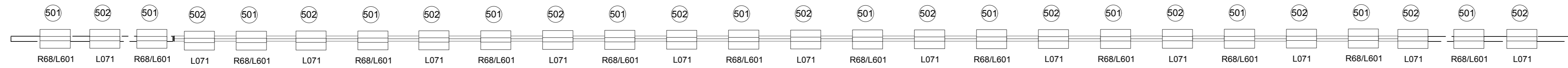


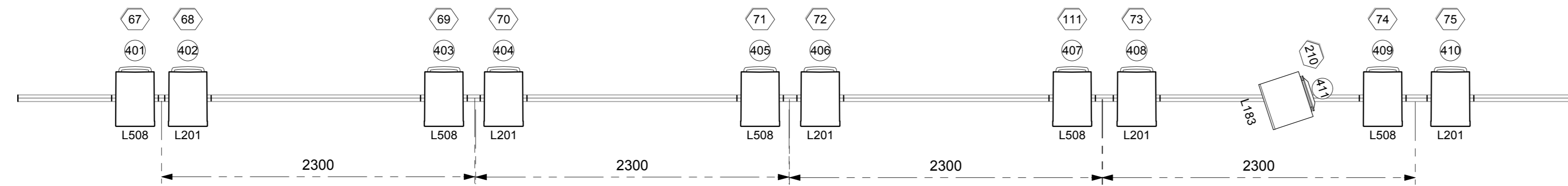
GROUND ROW
 601 - D225/226
 602 - D227-228

FLOOD BAR
 501 - D211/212
 502 - D213/214

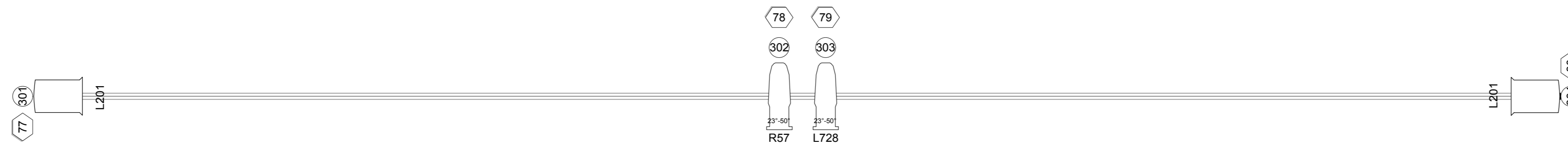
LX5 (cw29)



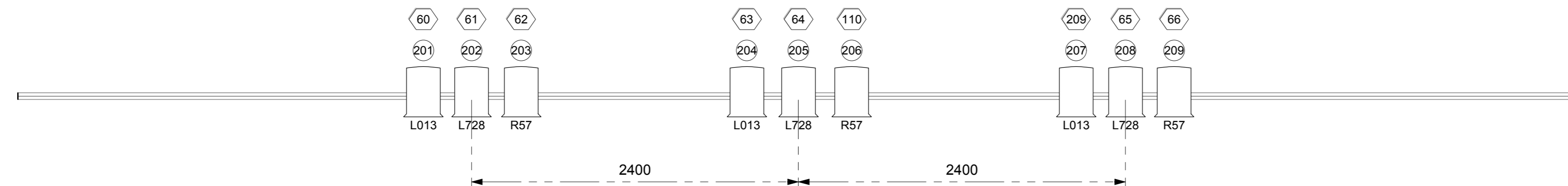
LX4 (cw18)



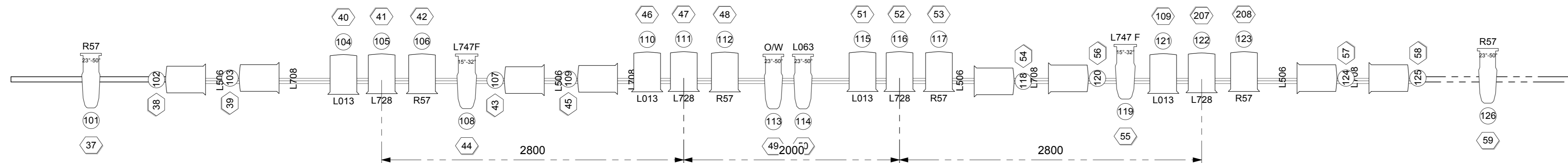
LX3 (cw12)



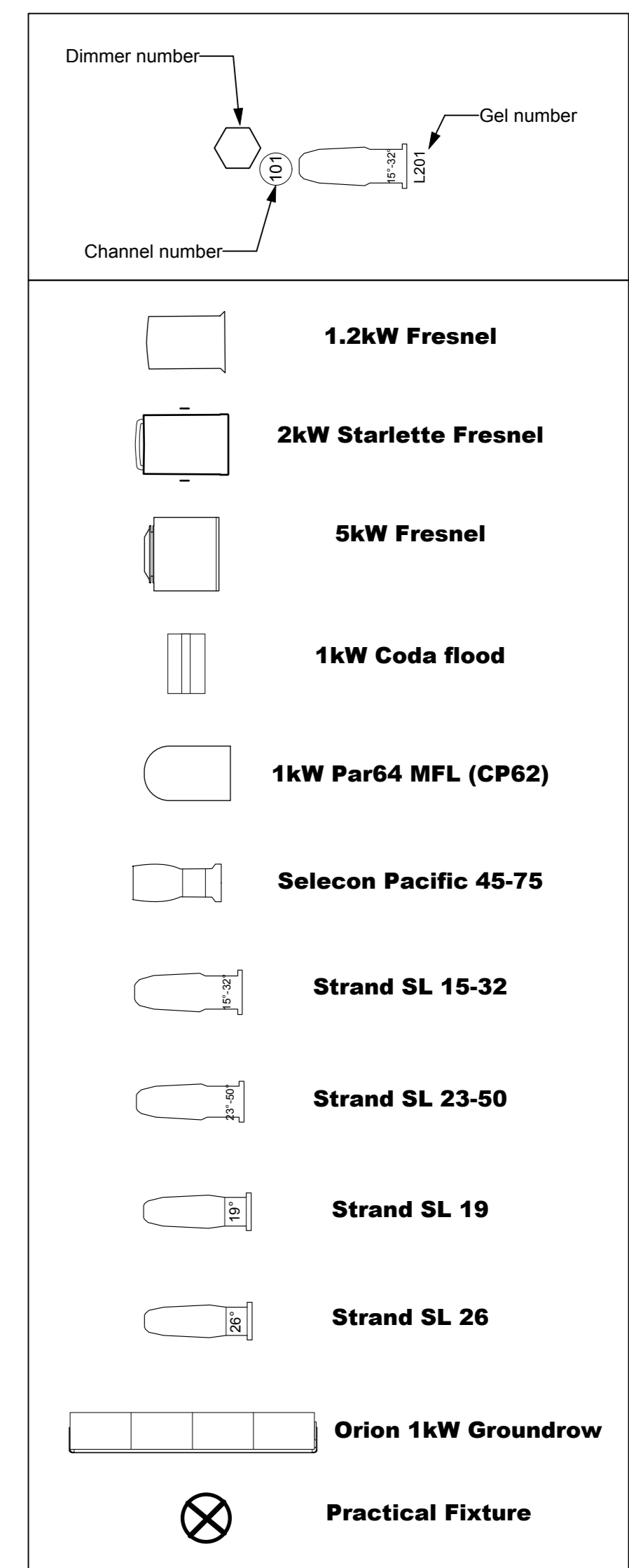
LX2 (cw8)



LX1 (cw3)



Lantern Key



CW22 BP screen

4/10/12

LX Stage O/H

Tartuffe

Royal Scottish Academy
 of Music and Drama
 100 Renfrew Street
 Glasgow
 G2 3DB



+44 (0)141 332 4101
 www.rsamd.ac.uk

www.dramaschools.com

Tartuffe

LX Stage O/H

Director **Tony Cownie**
 Stage Manager **Fiona Findlater**
 TSM **John Beggan**
 Drawn By **Roy Herd**

Designer **Sophie Martin**
 LX Design **Roy Herd**

Date **4/10/12**

Scale **1:25@A0**

Drawing Number

2