



PLATFORM SYSTEMS

SET-UP AND SAFETY MANUAL

Contents

Limitation of Warranty and Limitation of Liability	2
Safety Instructions	3
Couplers.....	4
Bracing	5
Guardrails	6
Mechanical Handling	7
Load Ratings.....	7
Set-up Instructions	8



Read this entire Set-up and Safety Manual before setting up or using Steeldeck® platforms

Failure to follow Set-up and Safety Instructions may result in severe personal injury or property damage

Steeldeck®, Inc.
3339 Exposition Place
Los Angeles, CA 90018

800.507.8243 (within the US)
323.290.2100
323.290.9600 FAX
www.steeldeck.com

Limitation of Warranty and Limitation of Liability

Notice: Read this Limitation of Warranty and Limitation of Liability before buying or using Steeldeck® platforms. If the terms are not acceptable, return the product to Steeldeck®, Inc. at once and the purchase price will be refunded.

Steeldeck® platforms are guaranteed free of defects in materials and workmanship for three years from date of purchase from Steeldeck®, Inc. Steeldeck®, Inc. warrants that its products are reasonably fit for the purposes described in the Set-up and Safety Manual, under normal use conditions, when the Set-up and Safety Instructions are strictly followed. All risks arising from any failure to follow the Set-up and Safety Instructions shall be assumed by Buyer or User.

STEELDECK®, INC. MAKES NO OTHER EXPRESS OR IMPLIED WARRANTY OF FITNESS OR OF MERCHANTABILITY OR ANY OTHER EXPRESS OR IMPLIED WARRANTY.

In no event shall Steeldeck®, Inc. or seller be liable for any incidental, consequential, or special damages resulting from the use or handling of this product. **THE EXCLUSIVE REMEDY OF THE BUYER OR USER, AND THE EXCLUSIVE LIABILITY OF STEELDECK®, INC. OR SELLER FOR ANY AND ALL CLAIMS, LOSSES, INJURIES OR DAMAGES (INCLUDING CLAIMS BASED ON BREACH OF WARRANTY, CONTRACT, NEGLIGENCE, TORT, STRICT LIABILITY OR OTHERWISE) RESULTING FROM THE USE OR HANDLING OF THIS PRODUCT, SHALL BE THE RETURN OF THE PURCHASE PRICE OF THE PRODUCT OR, AT THE ELECTION OF STEELDECK®, INC. OR SELLER, THE REPAIR OR REPLACEMENT OF THE PRODUCT.** Call Steeldeck®, Inc.'s customer service department at 800 50 STAGE (800 507 8243) with any questions about Steeldeck®, Inc. products or about this Limitation of Warranty or Limitation of Liability.

Steeldeck®, Inc. and seller offer this product, and buyer and user accept it, subject to the foregoing Limitation of Warranty and Limitation of Liability, which may not be modified by any oral or written agreement.

US Patent # 4,813,201 March 1989
Canadian Patent # 1,306,335 August 1992
UK Design Copyright 1985
Other Patents Applied For

Safety Instructions

Before using Steeldeck® platforms read this entire Set-up and Safety Manual. **Safe and efficient use can be achieved only if Steeldeck® platform components are properly used and maintained.** Failure to follow Set-up and Safety procedures will cause accidents.

WARNINGS

ELECTRICAL SHOCK – Steeldeck® platform frames and legs conduct electricity. Avoid contact with electrical appliances.

OVERLOADING – Do not exceed manufacturer's recommended loads or Steeldeck® platform may collapse. See page 7 of this Set-up and Safety Manual for maximum loading specifications.

FOUR LEGS – Always use at least four legs. Never set up Steeldeck® platforms with fewer than four legs per deck. Use of Steeldeck® platforms with fewer than four legs is unsafe and creates a risk of collapse.

MAXIMUM 12° ANGLE – Do not set up Steeldeck® platforms at angles greater than 12° from horizontal, to avoid weakening structure and increasing a risk of collapse. Steeldeck® platforms erected at any angle other than horizontal increases the risk of injury from slips and falls.

DAMAGED EQUIPMENT – Do not use damaged Steeldeck® platforms. Bent, broken, or cracked Steeldeck® platforms or components may have lost their structural integrity. Remove from use immediately to avoid risk of collapse.

NO SUBSTITUTIONS – Do not substitute your own part in place of parts supplied by Steeldeck®, Inc. Substitute parts may not fit correctly, or may be weak, creating a risk of collapse.

NO MODIFICATIONS – Do not bend, cut, or modify the structure of Steeldeck® platforms in any way. Any modification will weaken the Steeldeck® platform and create a risk of collapse.

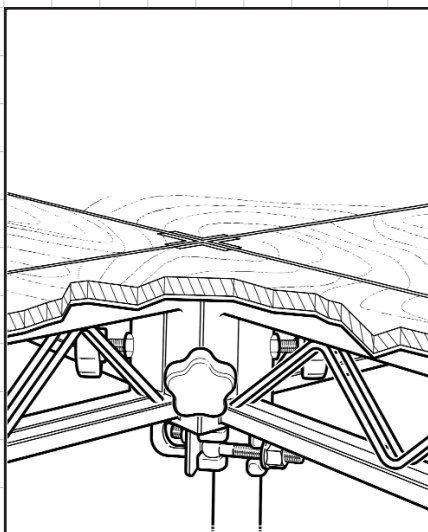
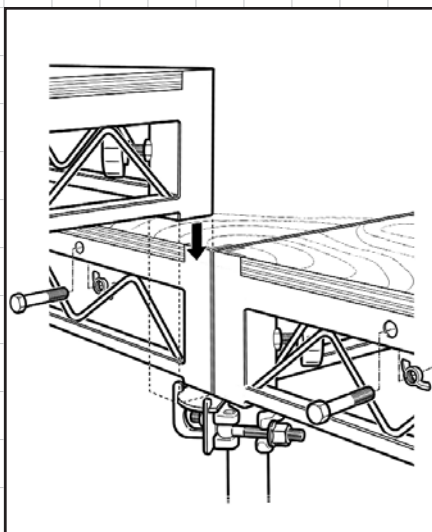
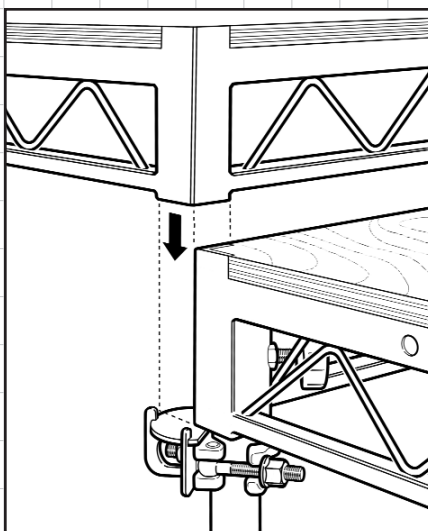
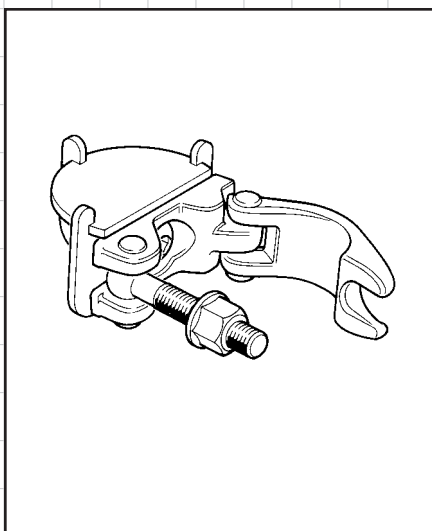
CRUSHING – Steeldeck® platforms are heavy. If a Steeldeck® platform falls, it can injure.

FALLING – Do not erect or stand on Steeldeck® platforms until all cornerpost bolts are firmly tightened.

CAUTION

Do not store a Steeldeck® platform where it is exposed to rain or high moisture conditions. Wet conditions or high moisture will cause the steel to corrode and the plywood to rot, reducing the strength of the Steeldeck® platform.

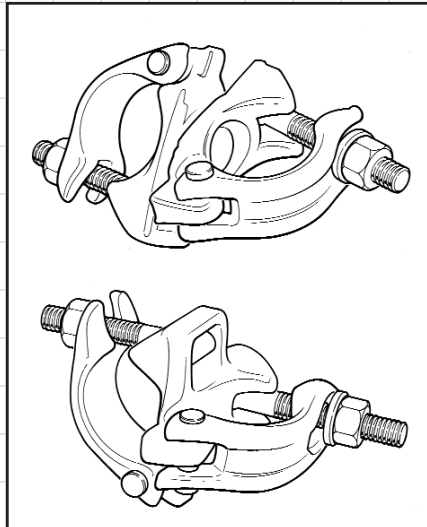
Couplers



Couplers allow Steeldeck® platforms to be cross-braced when built above 4 feet high or on screwjacks or casters.

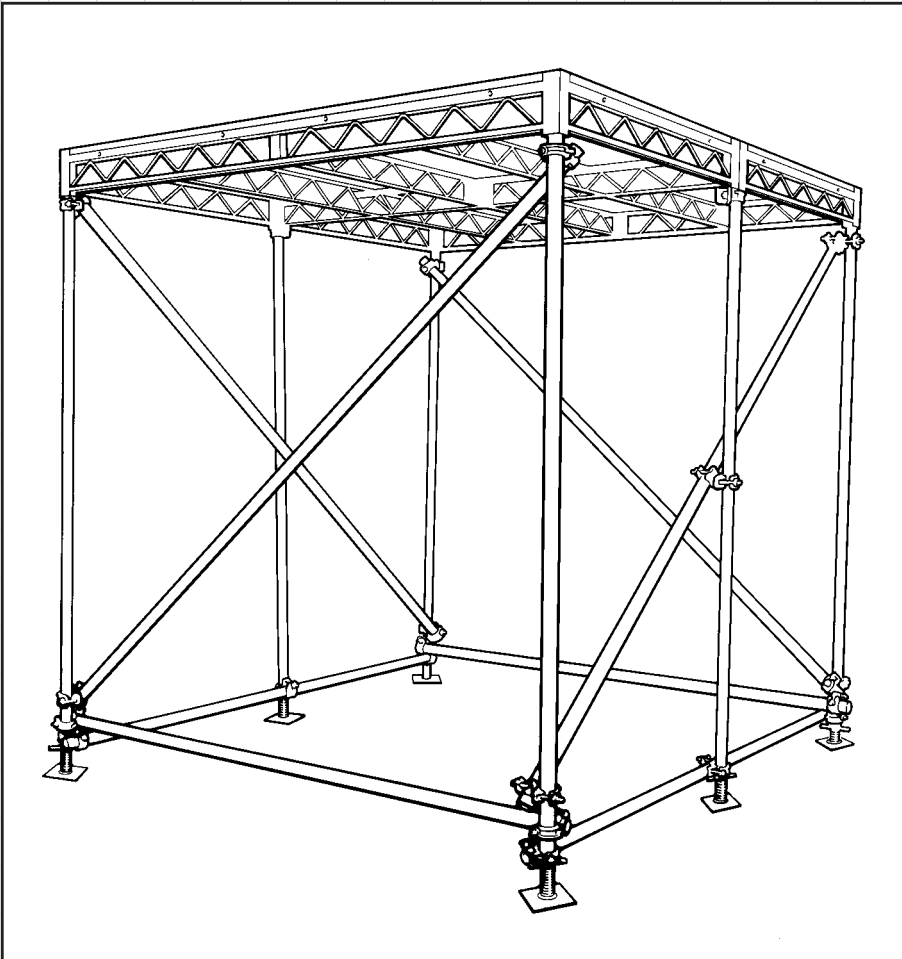
- 1** Assemble the first deck on four legs. (See Set-up Instructions).
- 2** Stand deck up.
- 3** Fit couplers to the tops of the legs, immediately under the cornerposts.
- 4** Using a torque wrench, tighten the coupler bolt to 40 ft lbs.
- 5** Assemble legs into subsequent decks and hook onto previous deck.
- 6** Insert and finger tighten connecting bolts.
- 7** When stage is complete, tighten connecting bolts and add bracing if necessary.

Bracing

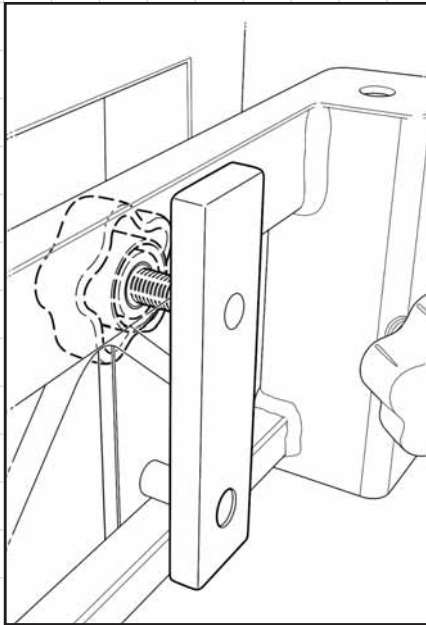


Stages built over four feet high must be cross-braced with horizontal and diagonal lengths of 1½ Schedule 40 pipe for stability and safe use. Bracing must be secured with standard fixed (two way) and swivel clips. All bracing components are available from Steeldeck®, Inc.

- 1 After the stage has been assembled, fix horizontal bracing tubes as near to the ground as possible. Use fixed clips at every intersecting leg.
- 2 Fix diagonal bracing tubes at angles as near to 45° as possible. Use swivel clips at every intersecting leg.

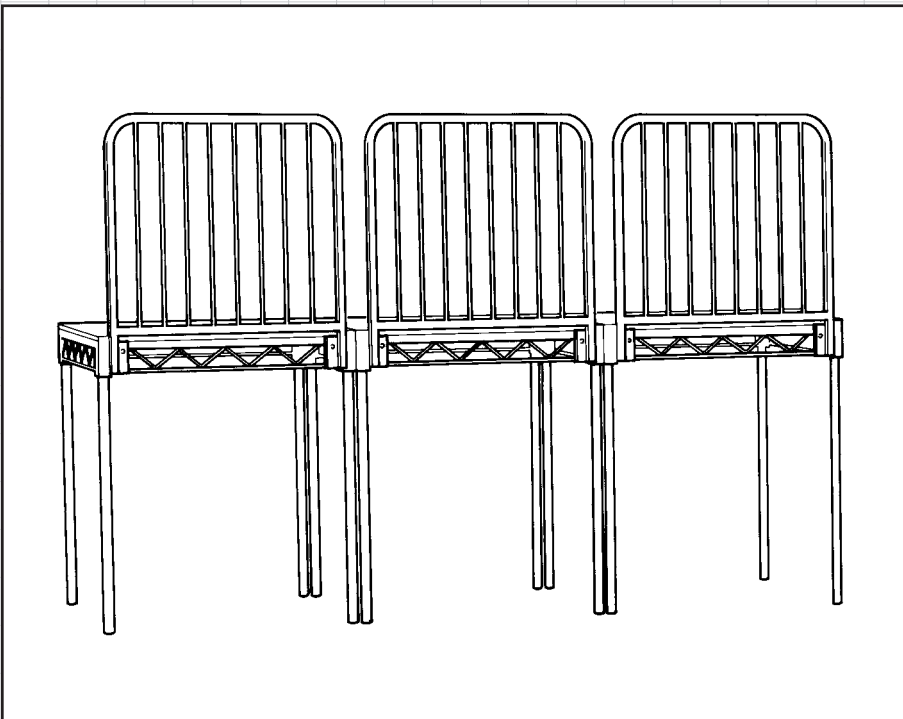


Guardrails

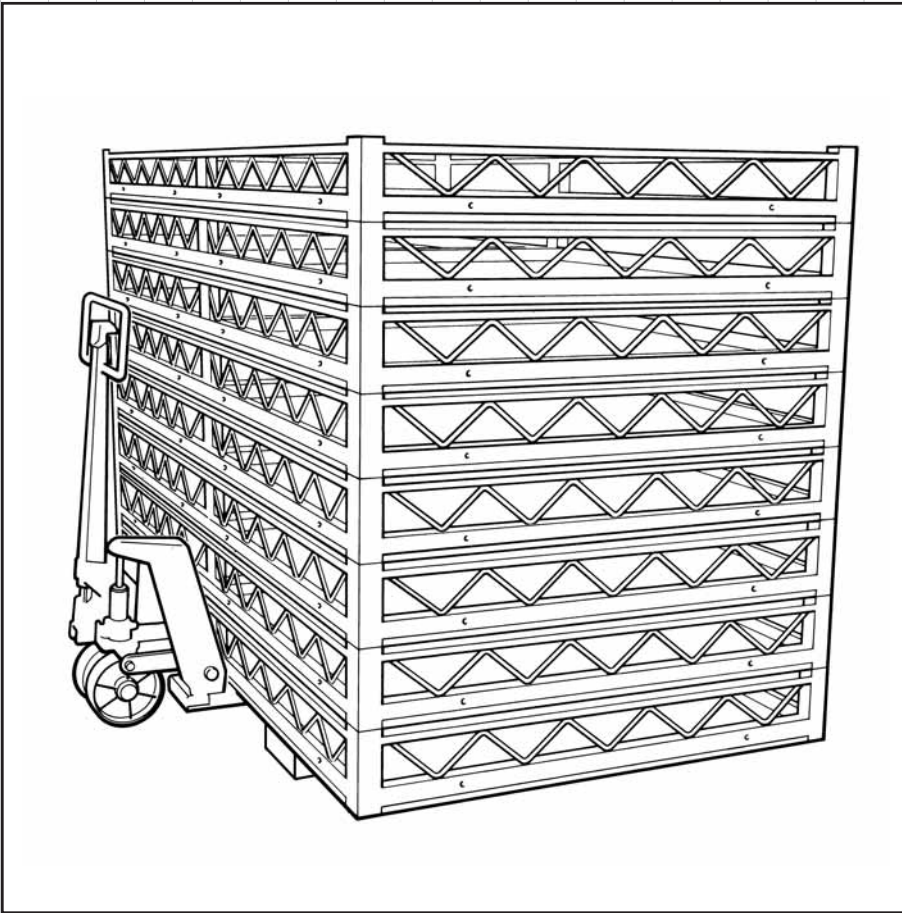


Guardrails are modular and do not interconnect. Units comprise the guardrail, two backplates and two hand knobs. Guardrails are fixed as follows:

- 1** Select the location of the guardrail. Offer the guardrail to the side of the Steeldeck® platform and rest the pins on the lower chord of the truss.
- 2** While holding the guardrail, fit the backplate so that the pin on the guardrail engages in the plain hole on the backplate.
- 3** Screw the hand knob into the backplate through the guardrail finger tight.
- 4** Fit the second back plate as above.
- 5** Adjust the guardrails to allow no more than 4" space between them.
- 6** Tighten hand knobs securely.



Mechanical Handling

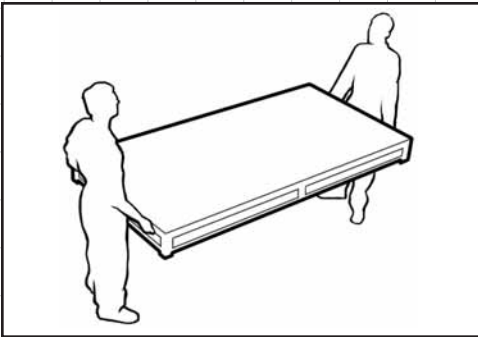


- 1 Place two 4 x 4 timbers or a pallet on a stable floor.
- 2 Place a Steeldeck® platform plywood down on the timbers.
- 3 Build a stack of up to ten Steeldeck® platforms on top of the first, plywood down.

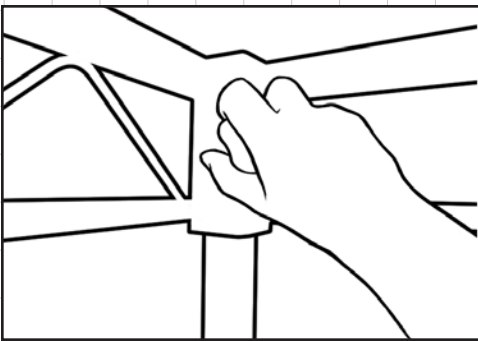
Load Ratings

- 1 Steeldeck® platforms meet and exceed Uniform Building Code requirements for portable platforms, which requires a load rating of 125 pounds per square foot, (or 4000 pounds evenly distributed on a 4' x 8' Steeldeck® platform.)
- 2 Steeldeck® platform guardrails meet and exceed Uniform Building Code requirements for guardrails, which requires guardrails to be capable of withstanding a load of at least 200 pounds applied in any direction at any point on the rail.

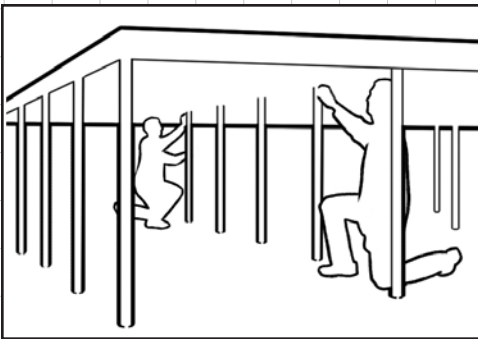
Set-up Instructions



- 1 Provide two or more people to handle each Steeldeck® platform.
- 2 Clear set-up area for stage.
- 3 Stand Steeldeck® platform on its long edge.



- 4 Check that all legs are fitted with a plastic foot, and are the same length.
- 5 Insert open end of leg into cornerpost.
- 6 Be sure to insert leg completely into cornerpost.
- 7 Tighten hand knob firmly.



- 8 Check that all legs are held securely.
- 9 Check that there is enough space to maneuver the platform.
- 10 Stand the Steeldeck® platform up and place in position.
- 11 Fit connecting bolts finger tight as stage is erected.
- 12 Tighten connecting bolts.

Note: Bolts and hand knobs should be tightened firmly, **NOT** forced.

To breakdown Steeldeck® platform follow set-up instructions in reverse order.