

CUT LIST:

20x20 ERW:

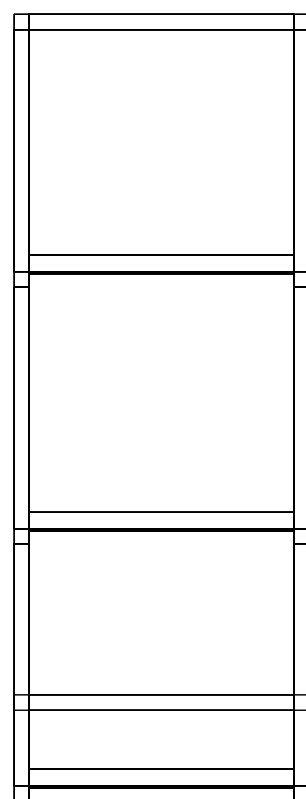
- 4@ 2360 45*
- 4@ 2320
- 4@ 1040 45*
- 2@ 780
- 28@ 320
- 13@ 350

25x50 Angle:

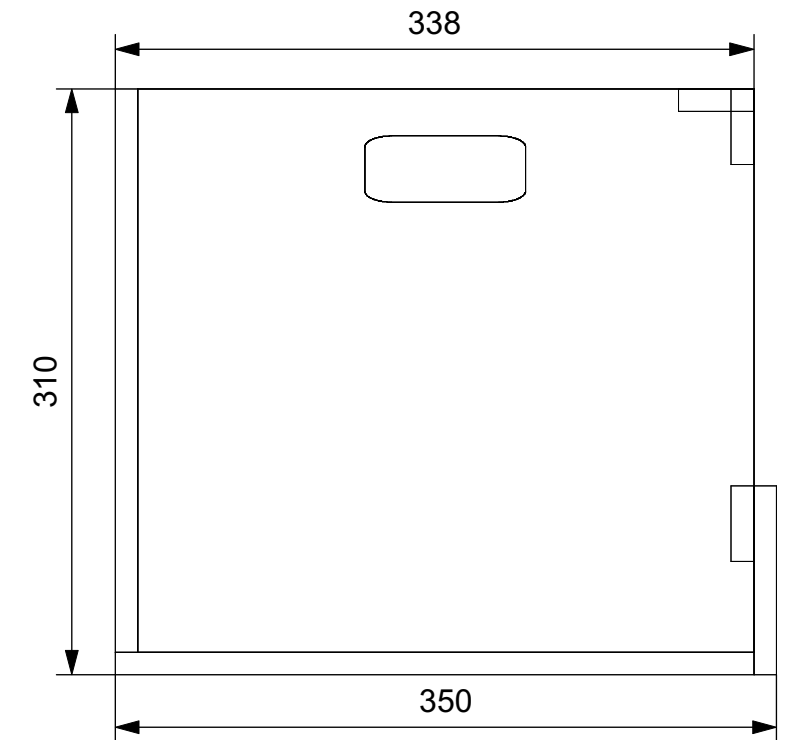
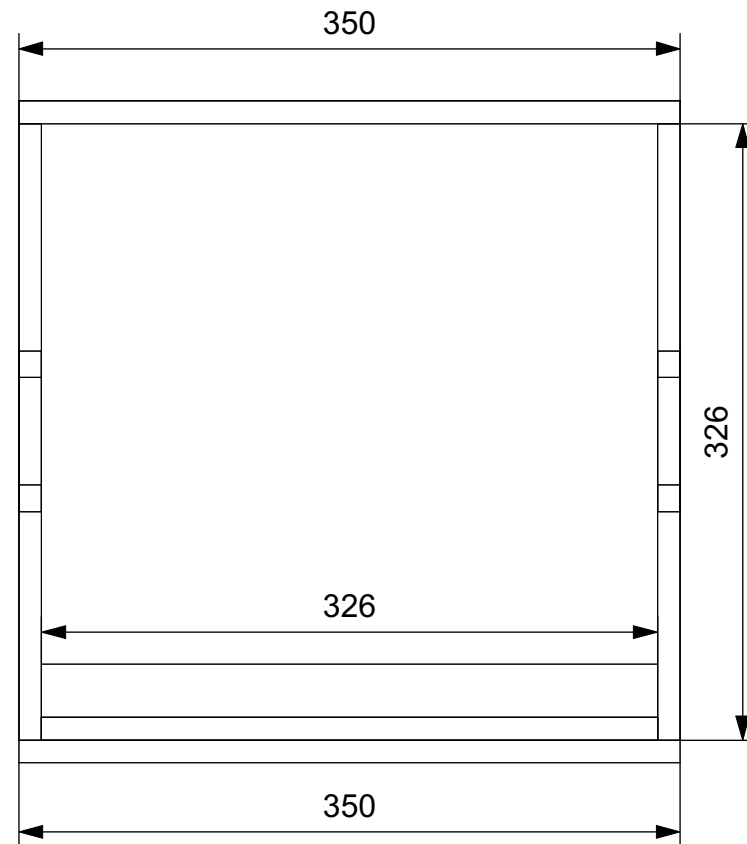
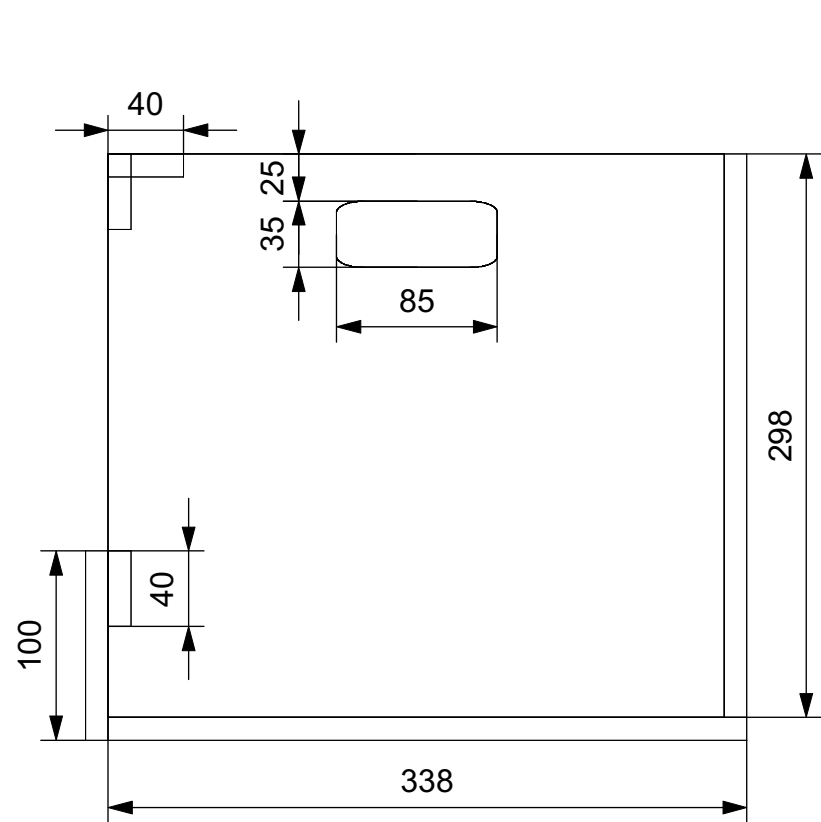
- 32@350

12mm Birch:

- 5@ 390x800

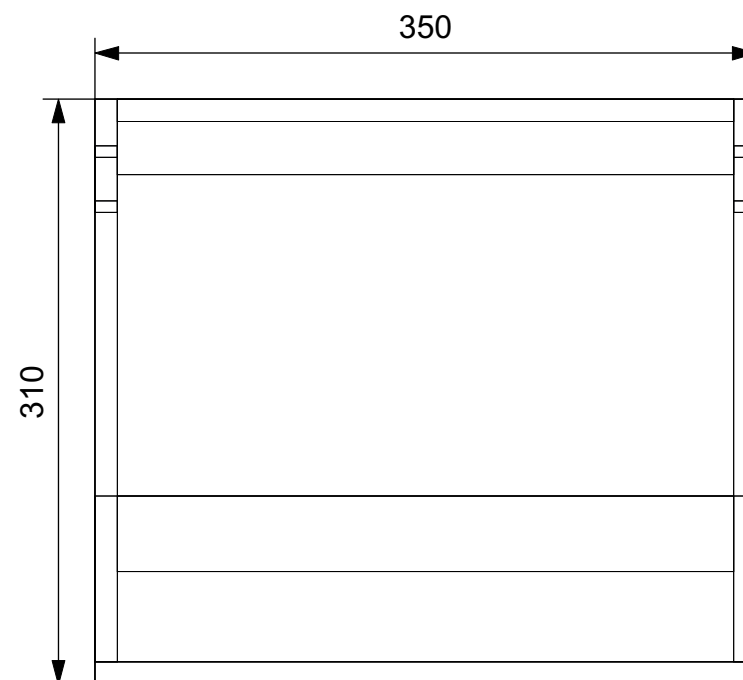


Title Storage Frame - 1:10 and 1:25@A3		
Drawing Number 1	Drawn By YSW	Date 20/05/18
CAD File Name Cage 2018		



CUT LIST/BOX:

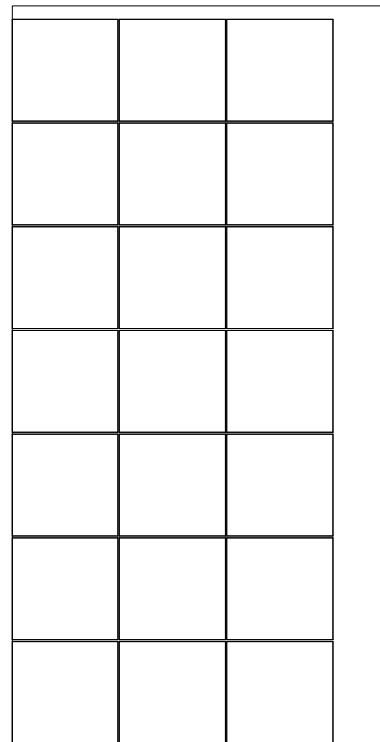
- BACK 1@ 298x350**
- BASE 1@ 338x350**
- FRONT 1@ 100x350**
- SIDE 2@ 298x326**
- SUPPORT 3@ 40x326**



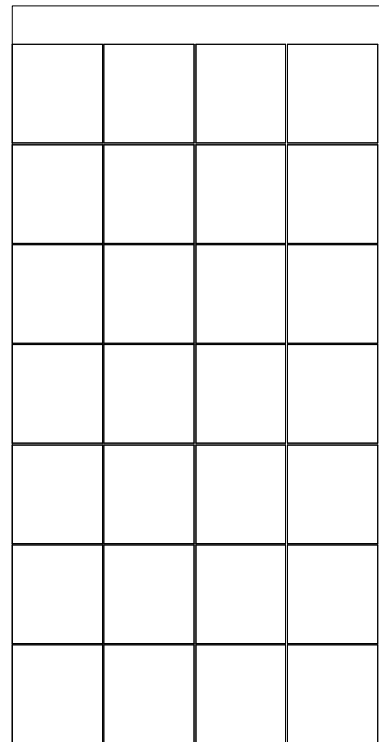
TOTAL CUT LIST:

- BACK 16@ 298x350**
- BASE 16@ 338x350**
- FRONT 16@ 100x350**
- SIDE 32@ 298x326**
- SUPPORT 48@ 40x326**

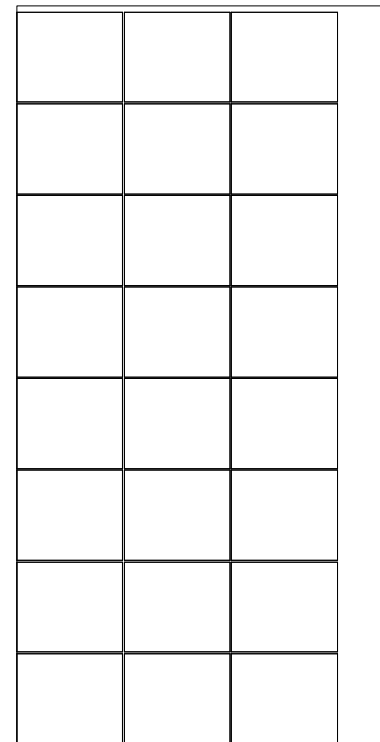
Title Wood Boxes - 1:4@A3		
Drawing Number 2	Drawn By YSW	Date 20/05/18
CAD File Name Cage 2018		



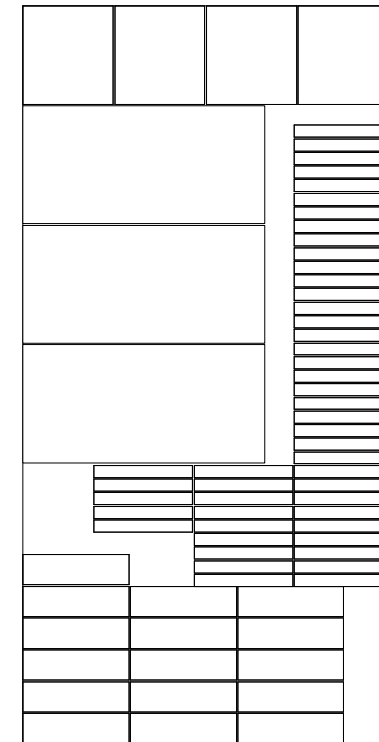
BASE



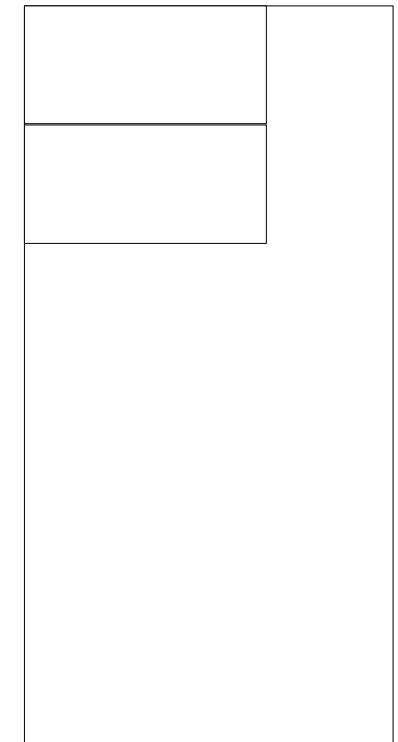
SIDE



BACK



**SIDE
SUPPORT
FRONT
TOP**



SHELVES

TOTAL CUT LIST:

- BACK 16@ 298x350**
- BASE 16@ 338x350**
- FRONT 16@ 100x350**
- SIDE 32@ 298x326**
- SUPPORT 48@ 40x326**
- SHELVES and TOP 2 @ 390x800**

Title Cut List - 1:25@A3		
Drawing Number 3	Drawn By YSW	Date 20/05/18
CAD File Name Cage 2018		