

The Pool of Bethesda

Director: Mark Thomson
Designer: Alisa Kalyanova

Lighting Designer: Dylan Hodgson
Sound Designer: Allan Hamilton



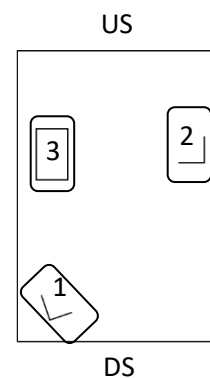
Royal Conservatoire
of Scotland

Settings List

Act 1 pre-set on stage

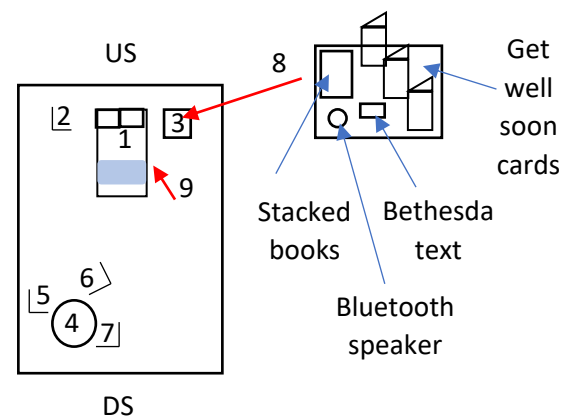
1. Hogarthian chair DSR (covered by cloth)
2. Hogarthian chair CSL (covered by cloth)
3. Wooden chest (covered by cloth)

(All cloth is to be tucked in to avoid women falling during dance)



Act 2 pre-set on stage

1. Hospital bed (With two white pillows, white quilt and blue hospital blanket)
2. Blue hospital chair
3. Hospital side table
4. Circular table
5. Pink chair 1
6. Pink chair 2
7. Pink chair 3
8. Books stacked x3
'Get well soon' cards x3
Folded up Bethesda text
Blue Bluetooth speaker
9. Hospital sick bowl (under bed)



Pre-set in wooden chest

- Wooden cane with gold handle - Bottom of chest
- Jesus' robes (pre-set ready to put on) - On top of cane
- Large pillow and old bandages with Figg's head bandage –On top of Jesus' robes
- Trepanning set – On top of pillow and bandages
- Wine bottle and two wine glasses – US side of chest

DS Props Table

- Hogarth's sketchbook and leather pouch of charcoals
- Pool of Bethesda paper
- Yellow paper fan
- Blind man's staff
- Man with gout's sling
- Contemporary Jane's bag (two theatre tickets and phone inside)
- Pub glasses with a little bit of drink left in them x3 (two gin glasses and one cider glass)
- Beer coasters x3
- Phone for Contemporary Ruth

USR Props Table

- Bouquet of red roses, with one removable rose
- Bouquet of white roses with one removable rose
- Bouquet of wildflowers with one removable flower
- Leather for the patient to bite on
- Black lace fan
- Pink lace fan
- Hogarthian Kate's fan
- Hairdressing set
- Kate's clipboard
- Kate's stethoscope
- Kate's NHS badge
- Contemporary doctor's sunglasses x2

- Contemporary doctor's red noses x2
- Contemporary doctor's stethoscopes x2
- Contemporary doctor's NHS lanyards x2
- Simon's bottles of vodka x4
- Two shot glasses
- Simon's NHS lanyard
- Simon's cloth and disinfectant spray
- Wheelchair