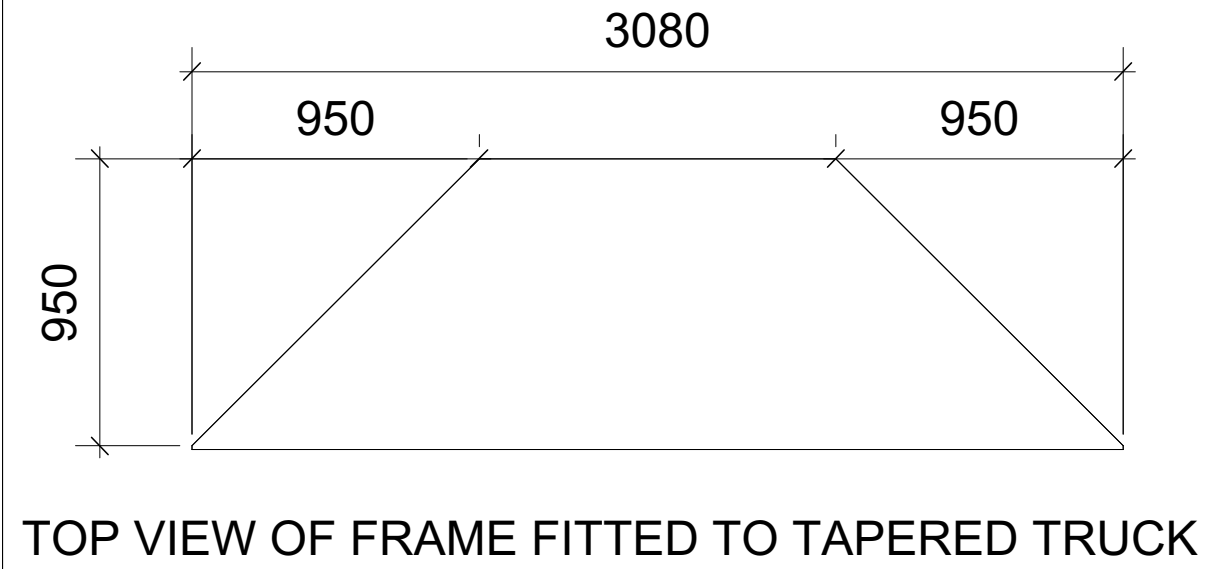
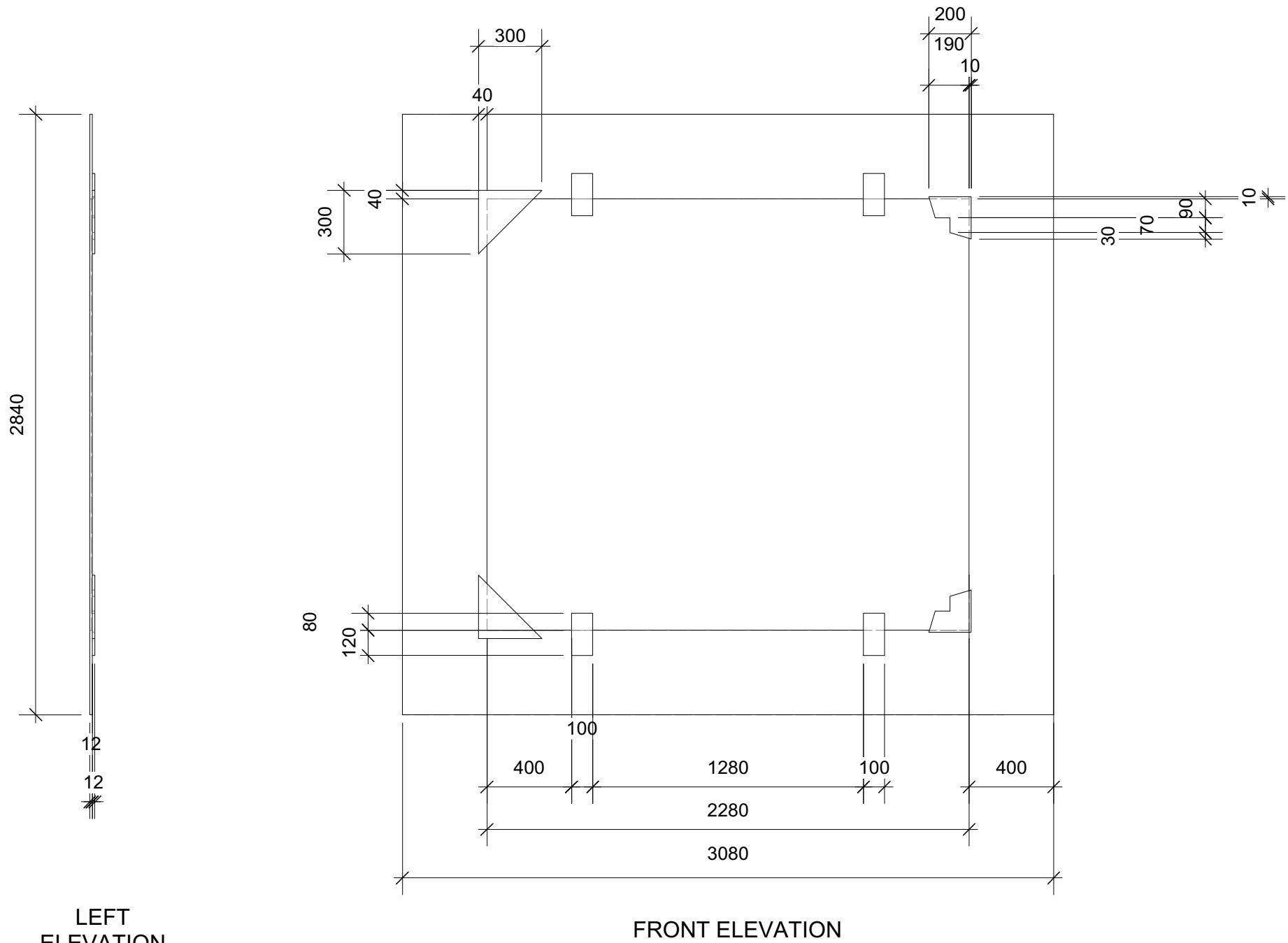
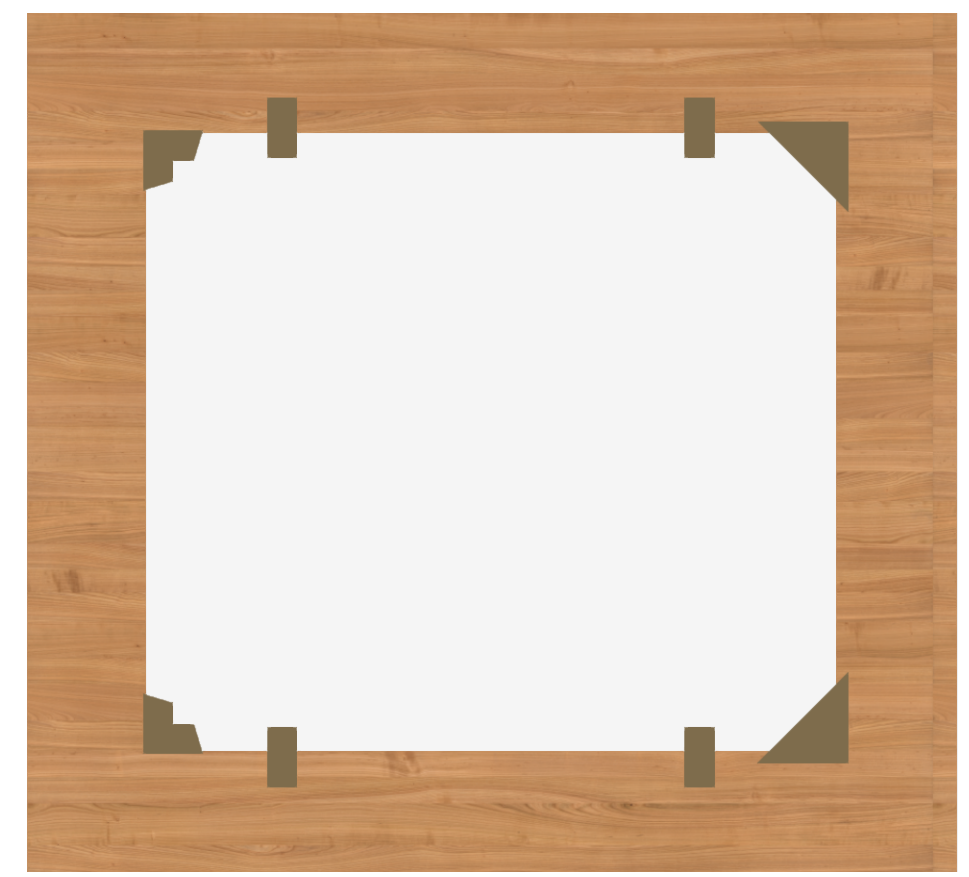


### SLIDING 'GLASS PLATE' FRAME 1



TOP VIEW OF FRAME FITTED TO TAPERED TRUCK

### SLIDING 'GLASS PLATE' FRAME 2 IDENTICAL TO FRAME 1 WITH EXCEPTION OF DECORATIVE COMPONENTS MIRRORED HORIZONTALLY



- NOTES:**
- small additional front details are decorative
  - small details are natural thickness of wood
  - each frame window fitted with a sheet of clear polycarbonate 2040x2280

Show Name <b>The Breathing House</b>		
Reference <b>1:25</b>	Drawn By <b>Ruth Darling</b>	Date <b>28/04/18</b>
CAD File Name <b>Sliding Frames</b>		