

Light

- ETC CE Source4 PAR MCM (WFL) @ 575w 18
- ETC ColorSource Cyclight @ 160w 1
- ETC Source4 19deg 750W @ 750w 6
- ETC Source4 26deg 750W @ 750w 14
- ETC Source4 36deg 750W @ 750w 7
- ETC Source4 50deg 750 @ 750w 3
- ETC Source4 Fresnel @ 750w 41
- ETC Source4 LEDLS 19deg @ 117w 2
- ETC Source4 LEDLS 26deg @ 117w 5
- ETC Source4 LEDLS 36deg @ 117w 12
- ETC Source4 LEDLS 50deg @ 117w 5
- ETC Source4 PAR WFL @ 575w 12
- Martin RUSH PAR 1 RGBW @ 78w 8
- Robert Juliat Korrigan Follow Spot @ 1.2kw 2
- Selecon Arena High Performance Fresnel @ 2kw 2
- ADB Lighting CH50 @ 5kw 1

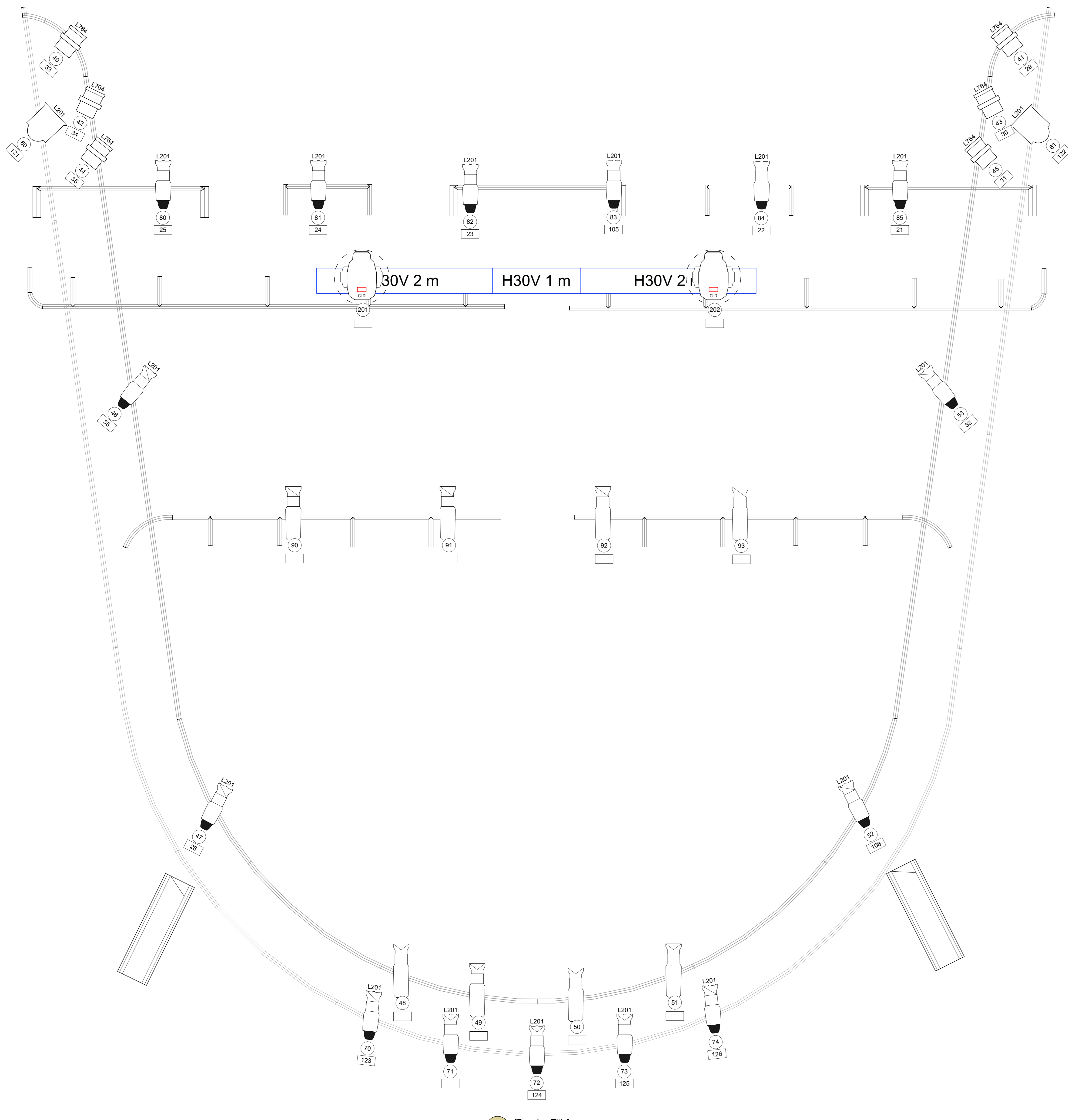
Moving Light

- Martin Mac Aura @ 260w 4
- Martin MAC Encore Performance CLD @ 596w 4
- Martin MAC Encore Wash WRM @ 596w 2

Typical

Color Summary

Color	Size	Count
CMY	N/A	6
L104	190mm	10
L200	190mm	8
L201	Selecon Arena High Performance Fresnel	2
L201	155mm	7
L201	190mm	29
L603	190mm	12
L603	191mm	19
L764	191mm	15
N/A	155mm	18
o/w	340mm	1
RGB	Martin RUSH PAR 1 RGBW	8
RGB	Martin Mac Aura	4
RGB	356mm	1



1 [Drawing Title]
Scale: 1:20

Light

- ETC CE Source4 PAR MCM (WFL) @ 575w 18
- ETC ColorSource CycLight @ 160w 1
- ETC Source4 19deg 750W @ 750w 6
- ETC Source4 26deg 750W @ 750w 14
- ETC Source4 36deg 750W @ 750w 7
- ETC Source4 50deg 750 @ 750w 3
- ETC Source4 Fresnel @ 750w 41
- ETC Source4 LEDLS 19deg @ 117w 2
- ETC Source4 LEDLS 26deg @ 117w 5
- ETC Source4 LEDLS 36deg @ 117w 12
- ETC Source4 LEDLS 50deg @ 117w 5
- ETC Source4 PAR WFL @ 575w 12
- Martin RUSH PAR 1 RGBW @ 78w 8
- Robert Juliat Korrigan Follow Spot @ 1.2kw 2
- Selecon Arena High Performance Fresnel @ 2kw 2
- ADB Lighting CH50 @ 5kw 1

Moving Light

- Martin Mac Aura @ 260w 4
- Martin MAC Encore Performance CLD @ 596w 4
- Martin MAC Encore Wash WRM @ 596w 2

Typical

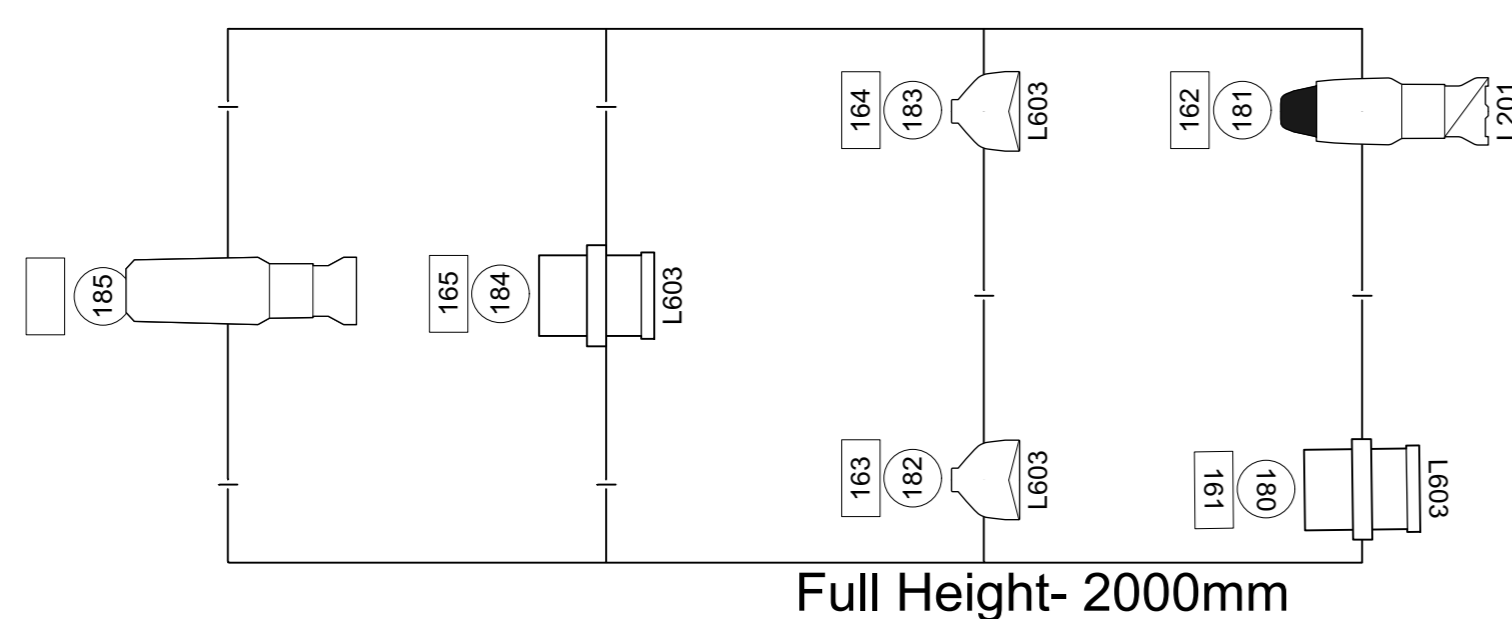
Color Summary

Color	Size	Count
CMY	N/A	6
L104	190mm	10
L200	190mm	8
L201	Selecon Arena High Performance Fresnel	2
L201	191mm	7
L201	159mm	29
L603	190mm	12
L603	191mm	19
L704	191mm	15
L704	159mm	18
N/A	340mm	1
o/w	Selecon Arena High Performance Fresnel	8
RGB	Martin RUSH PAR 1 RGBW	4
RGB	Martin Mac Aura	4
RGB	Martin Mac Aura	1

Show Name Dialogues Des Carmelites		
Reference	Drawn By Peter Goddard	Date
CAD File Name Opera 2 Master Vectorworks 23.04.19.vwx		

Stage Right

Ladder 5

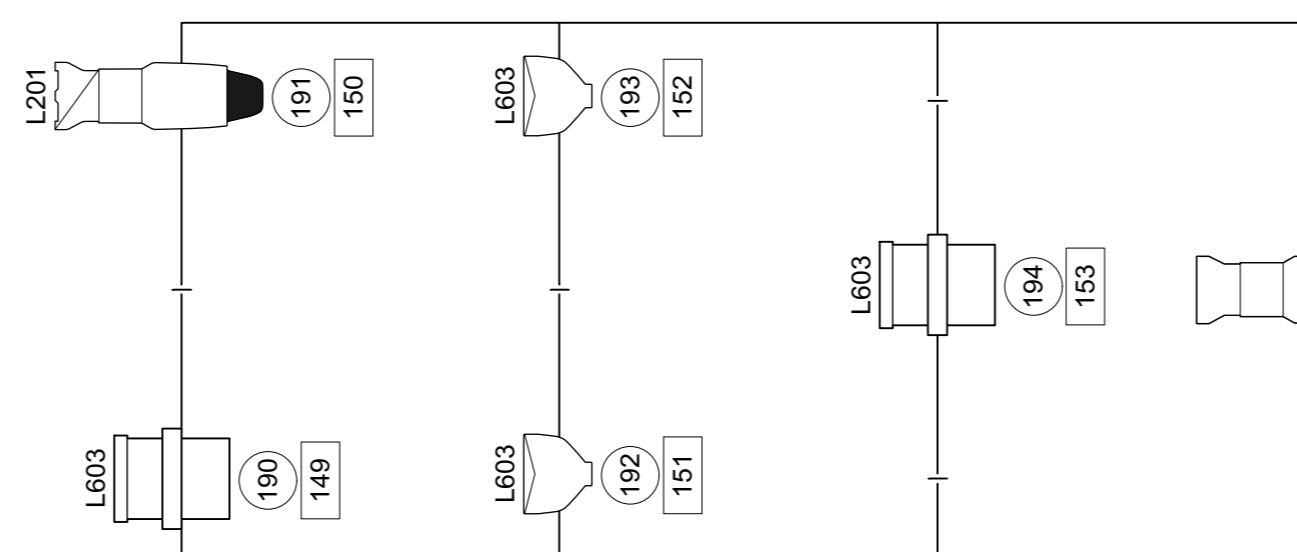


Full Height- 2000mm

Distance Between Rungs- 500 mm

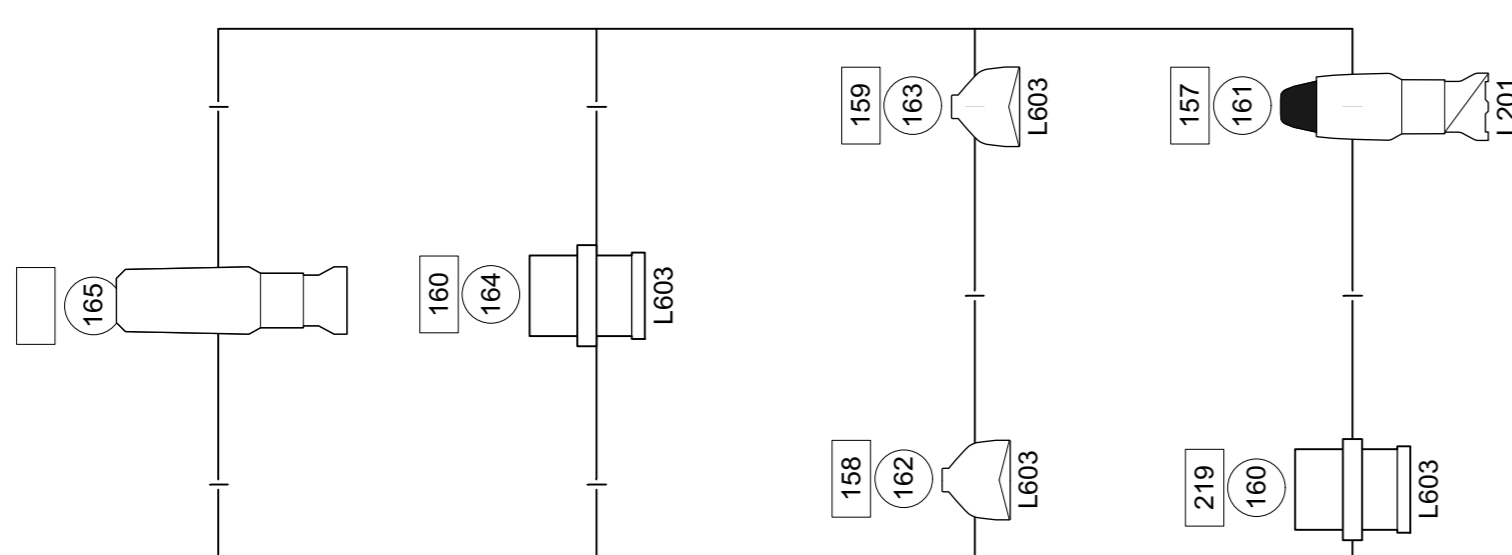
Stage Left

Ladder 6

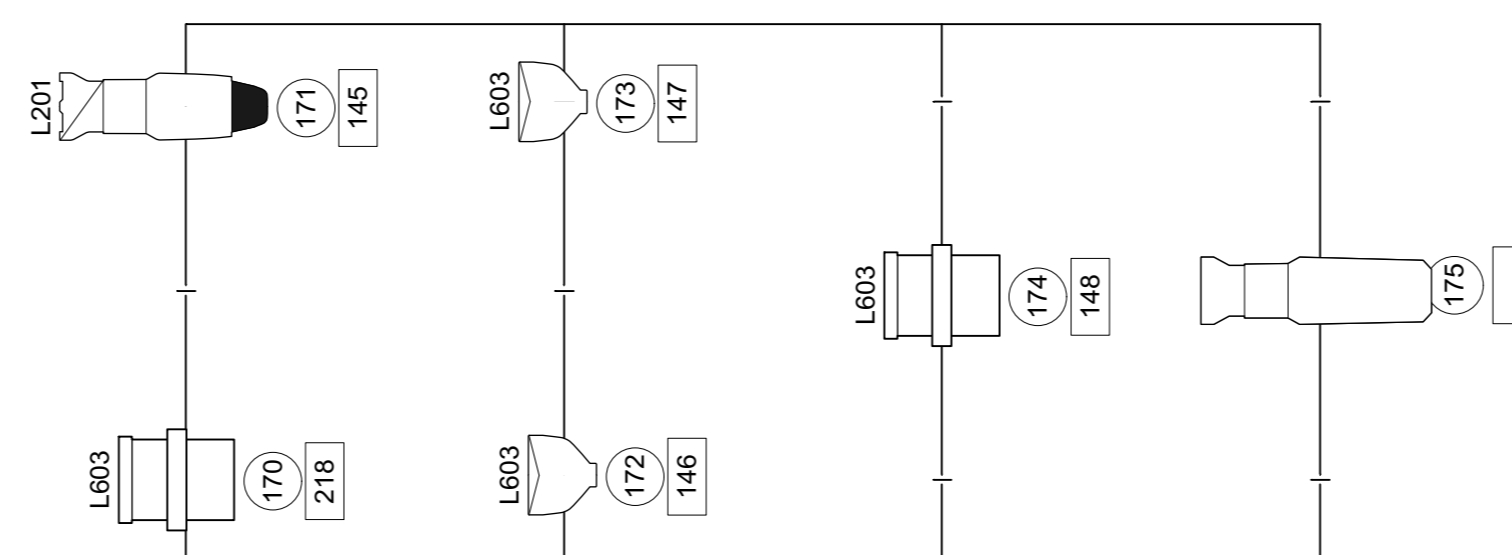


Distance From Floor- 2500mm

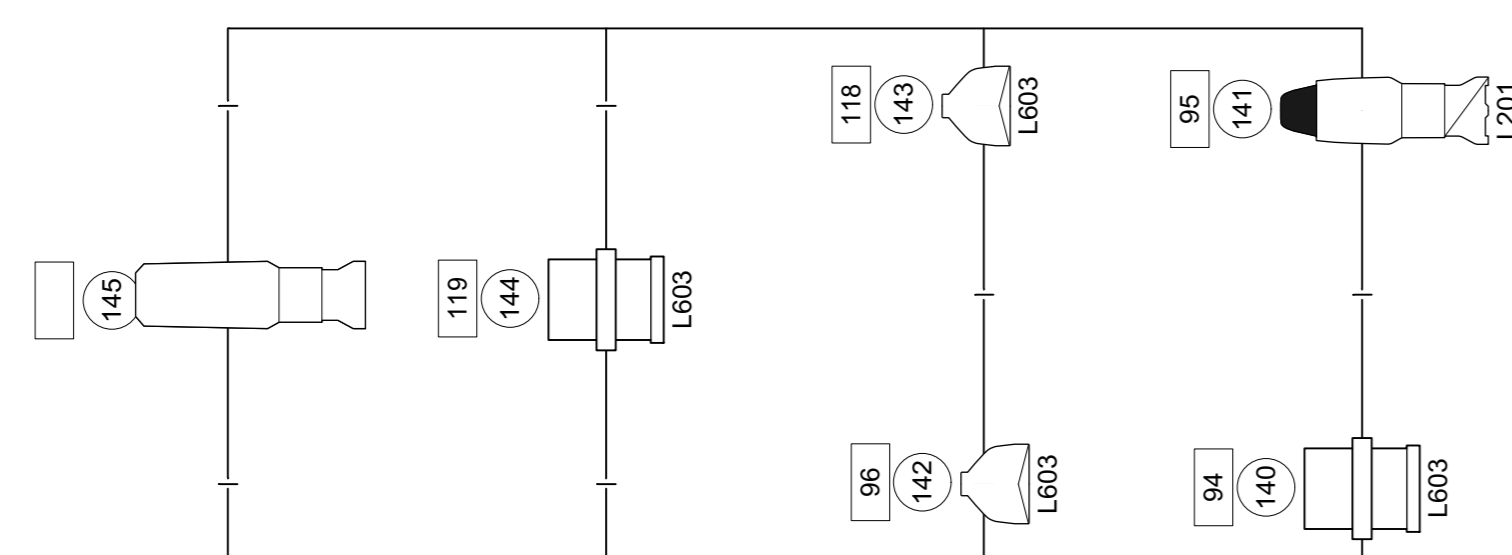
Ladder 3



Ladder 4

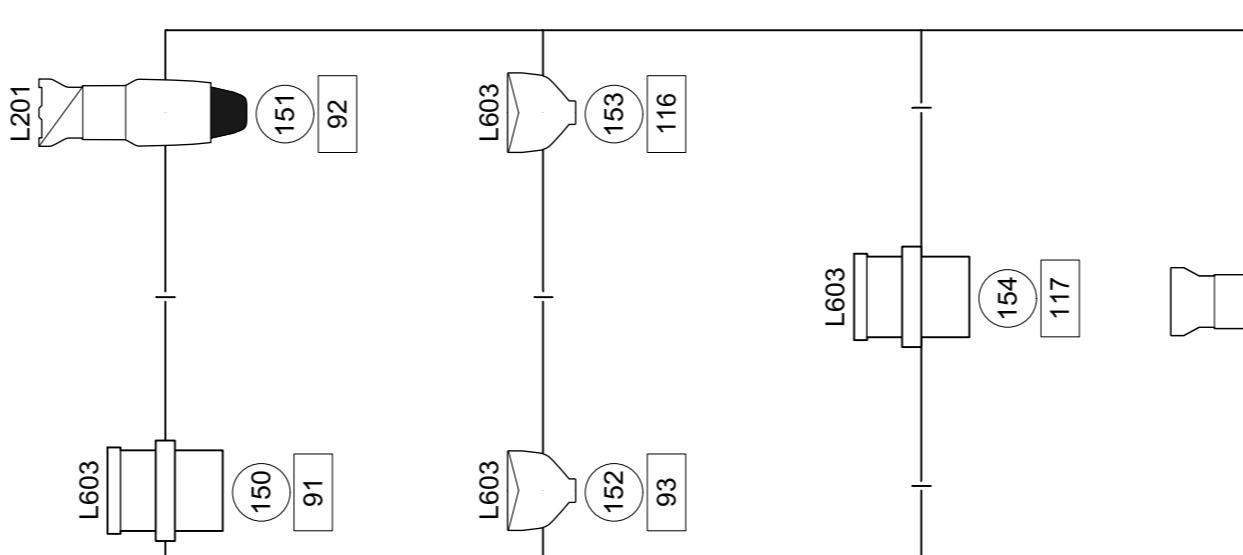


Ladder 1



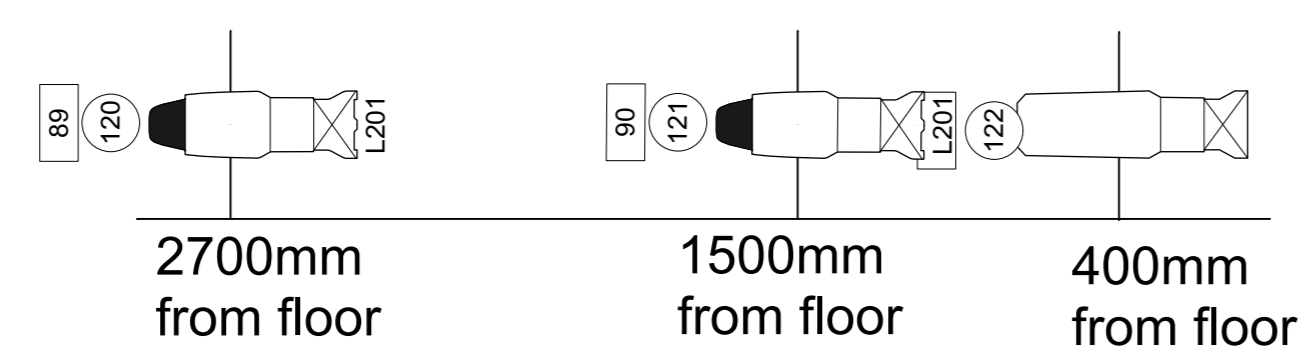
3 Metres tall

Ladder 2

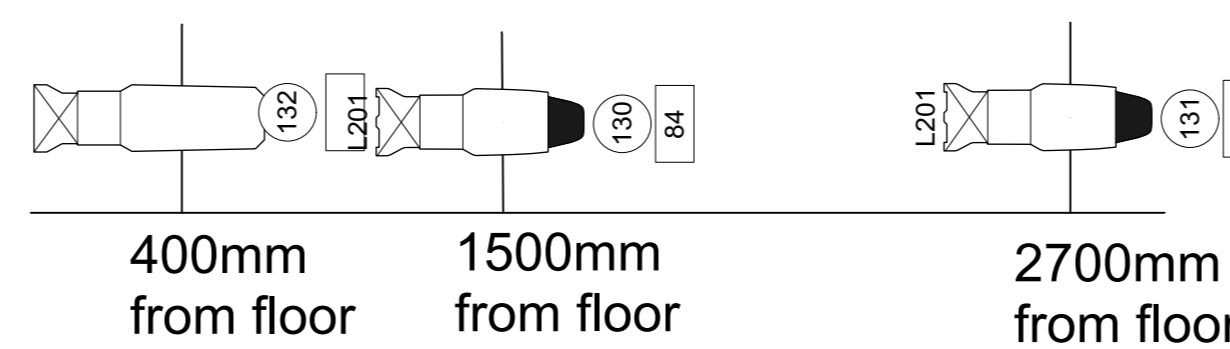


Slip Booms

3 Metres tall

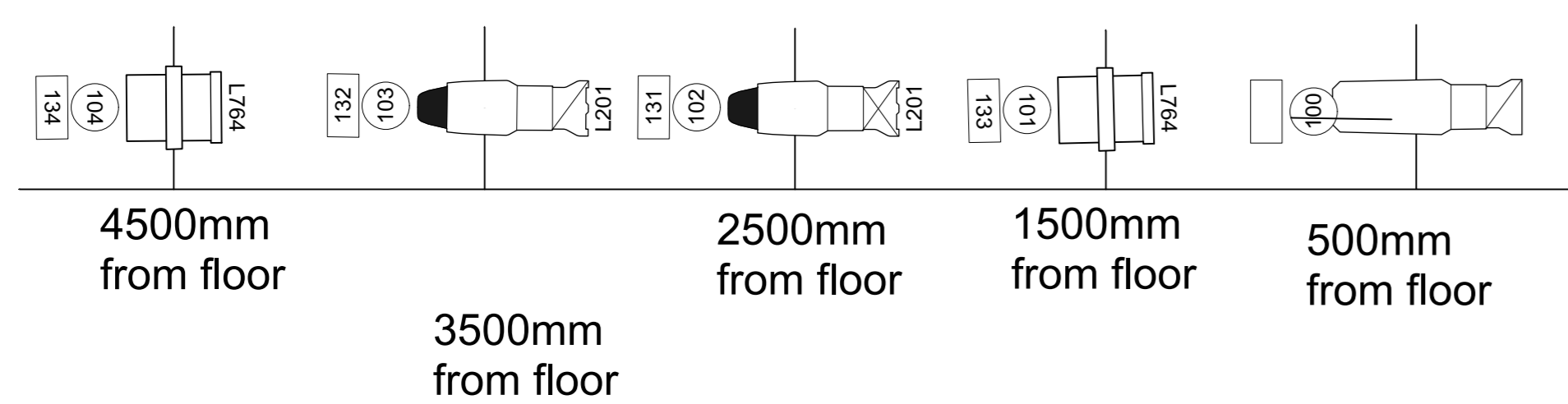


Bottom

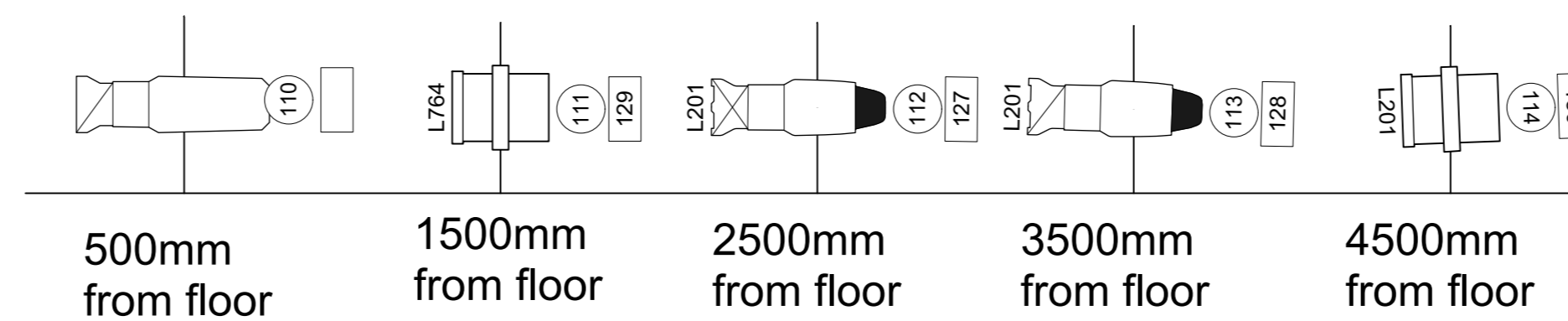


5 Metres tall

Pross Booms



Bottom



Light		
	ETC CE Source4 PAR MCM (WFL) @ 575w	18
	ETC ColorSource Cyclight @ 160w	1
	ETC Source4 19deg 750W @ 750w	6
	ETC Source4 26deg 750W @ 750w	14
	ETC Source4 36deg 750W @ 750w	7
	ETC Source4 50deg 750 @ 750w	3
	ETC Source4 Fresnel @ 750w	41
	ETC Source4 LEDLS 19deg @ 117w	2
	ETC Source4 LEDLS 26deg @ 117w	5
	ETC Source4 LEDLS 36deg @ 117w	12
	ETC Source4 LEDLS 50deg @ 117w	5
	ETC Source4 PAR WFL @ 575w	12
	Martin RUSH PAR 1 RGBW @ 78w	8
	Robert Juliat Korrigan Follow Spot @ 1.2kw	2
	Selecon Arena High Performance Fresnel @ 2kw	2
	ADB Lighting CH50 @ 5kw	1
Moving Light		
	Martin Mac Aura @ 260w	4
	Martin MAC Encore Performance CLD @ 596w	4
	Martin MAC Encore Wash WRM @ 596w	2
Static Accessory		
Typical		
Color Summary		
Color	Size	Count
CMY	N/A	6
L104	190mm	10
L200	190mm	8
L201	Selecon Arena High Performance Fresnel	2
L201	191mm	7
L201	159mm	29
L603	190mm	12
L603	191mm	19
L764	191mm	15
N/A	159mm	18
o/w	340mm	1
RGB	Martin RUSH PAR 1 RGBW	8
RGB	Martin Mac Aura	4
RGB	356mm	1

1 [Drawing Title]
Scale: 1:20

Show Name Dialogues Des Carmelites		
Reference	Drawn By Peter Goddard	Date
CAD File Name Opera 2 Master Vectorworks 23.04.19.vwx		