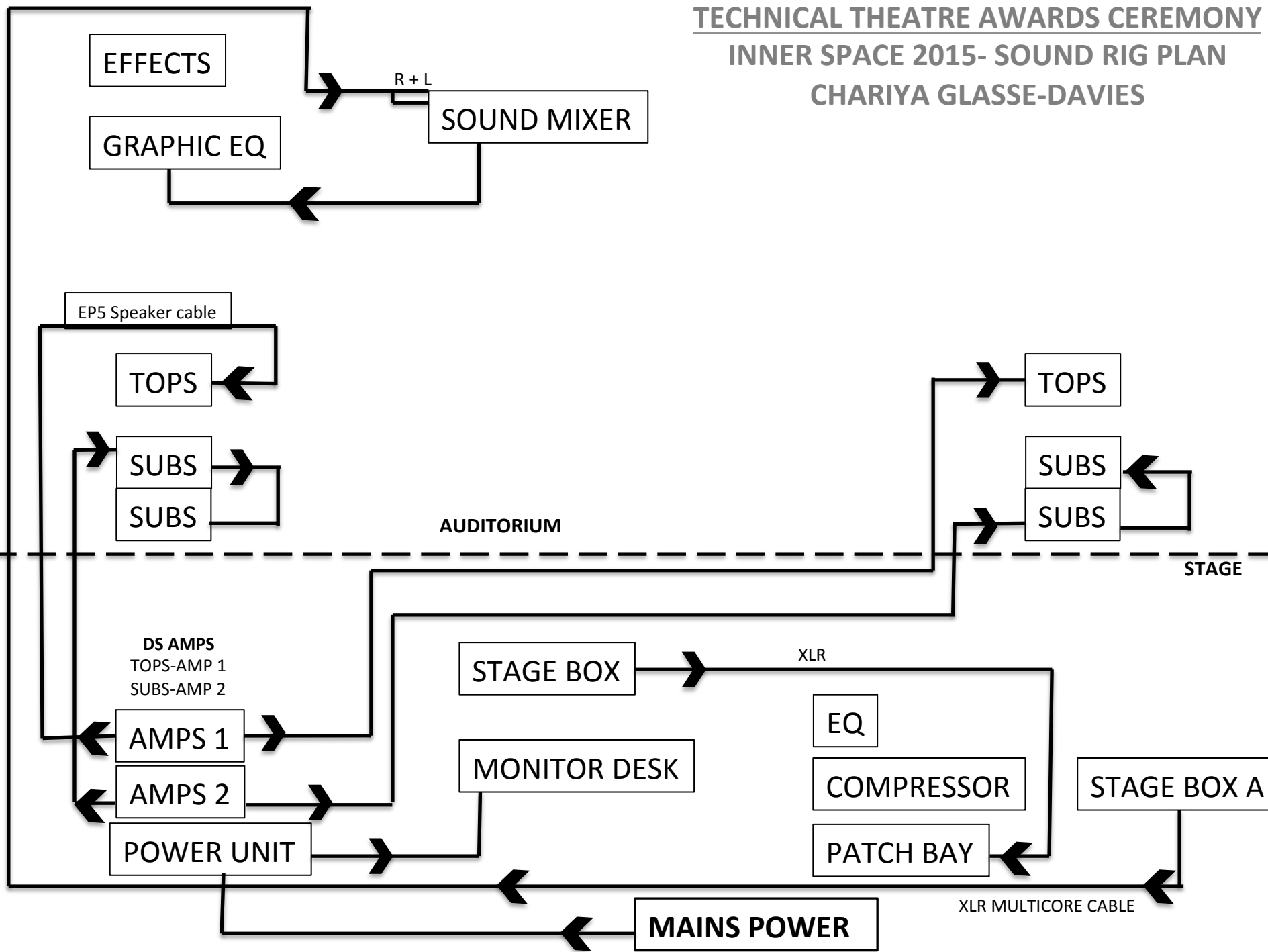
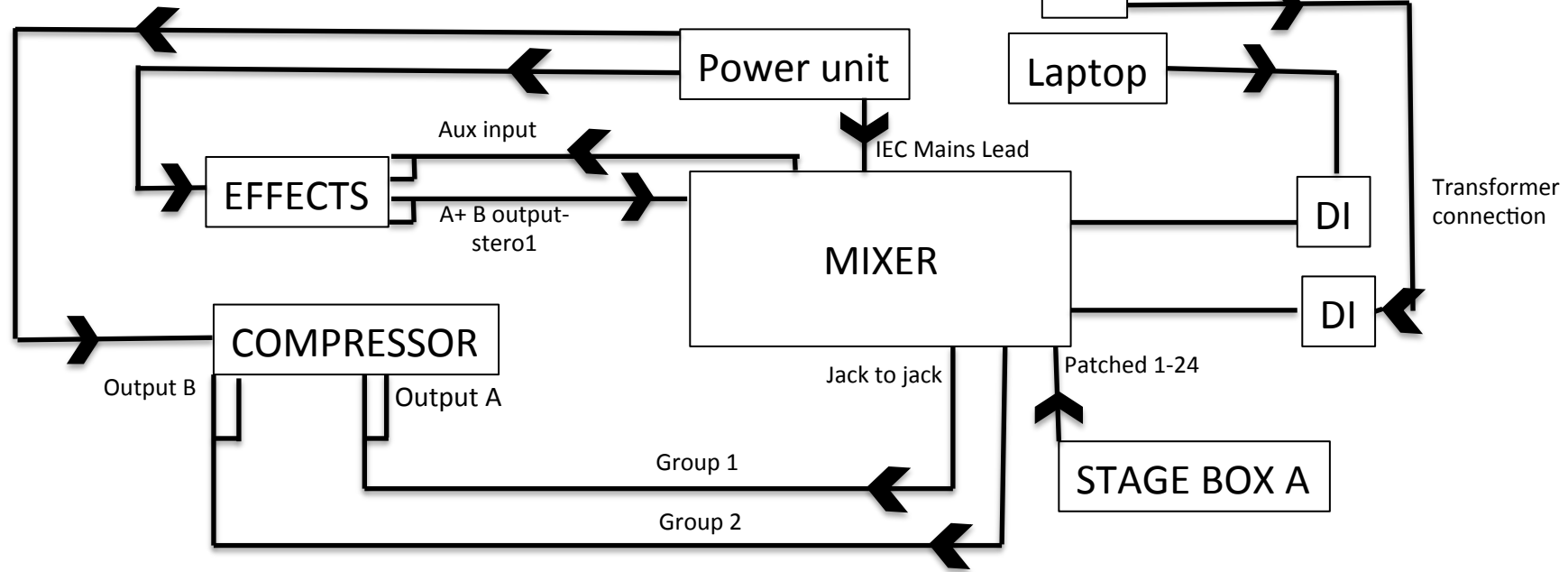


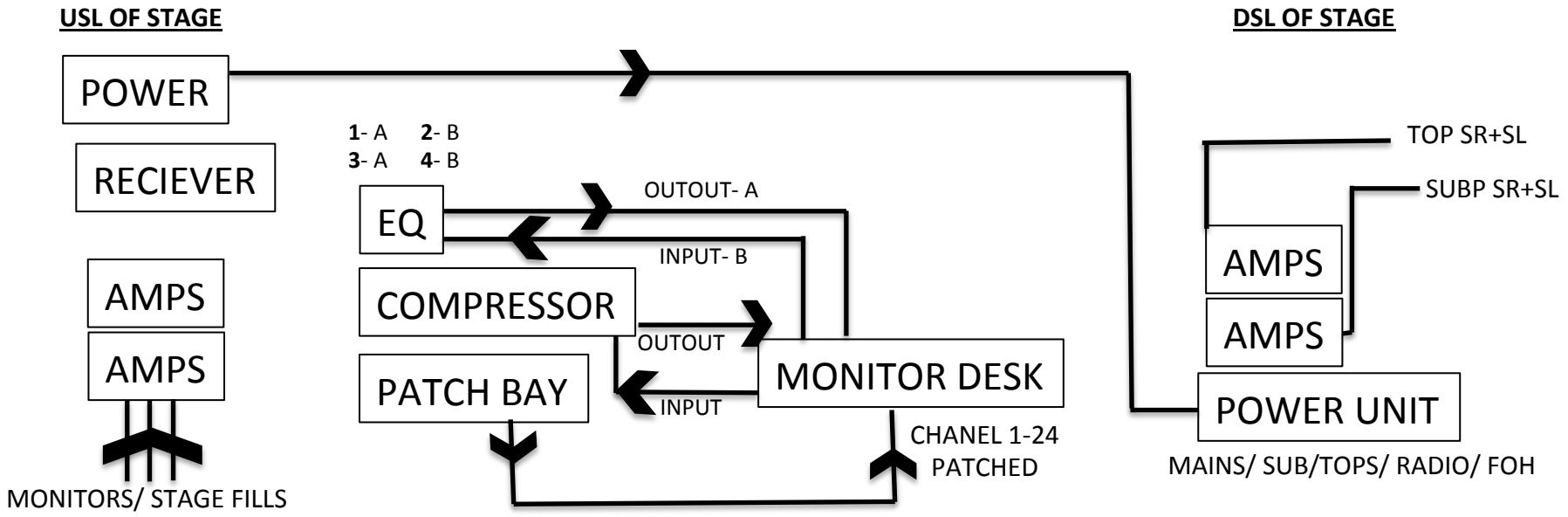
TECHNICAL THEATRE AWARDS CEREMONY
INNER SPACE 2015- SOUND RIG PLAN
CHARIYA GLASSE-DAVIES



FOH AREA



MONITOR AREA



TECHNICAL THEATRE AWARDS CEREMONY
INNER SPACE 2015- PATCHING INFORMATION
CHARIYA GLASSE-DAVIES

FOH MIXER CHANNELS

- 1- AV L
- 2- AV R
- 3- SOUND TRACKS (LAPTOP) L
- 4- SOUND TRACKS (LAPTOP) R
- 5- BENNY'S RADIO MICROPHONE
- 6- PODIUM L
- 7- PODIUM R
- 8- ROOM MICROPHONE L
- 9- ROOM MICROPHONE R
- 10- KIERAN MICROPHONE

REVERB SOUND EFFECTS- AUX 1

LINE FOR IPOD- 23/24

MONITOR MIXER CHANNELS

- 1- AV L
- 2- AV R
- 3- SOUND TRACKS (LAPTOP) L
- 4- SOUND TRACKS (LAPTOP) R
- 5- BENNY'S RADIO MICROPHONE
- 6- PODIUM L
- 7- PODIUM R
- 8- ROOM MICROPHONE L
- 9- ROOM MICROPHONE R
- 10- KIERAN MICROPHONE

IN EAR- AUX 9

DS AMPS

- SR+SL TOPS- A
- SR+SL SUBS- B

STAGE BOX A (ONSTAGE)

- 1-PODIUM MIC SR
- 2-PODIUM MIC SL
- 3- ROOM MIC SR
- 4-ROOM MIC SL

US AMP

- SR+ SL FILLS (SPEAKERS)
- 2X PODIUM (MONITORS)

TECHNICAL THEATRE AWARDS CEREMONY

INNER SPACE 2015- SOUND KIT

CHARIYA GLASSE-DAVIES

FOH PA SYSTEM

- 1 d&b C7 PA SYSTEM
- 2 d&b C7-TOP Speaker + lid & cover
- 4 d&b C7-SUB (EP5) + lid & cover
- 2 d&b D12 Dual Amplifier
- 2 13A - PowerCon Mains Lead
- 4 d&b C7 Arraying Hinge Z5110
- 4 EP5 Speaker cable 2m
- 1 EP5 Speaker cable 5m
- 1 EP5 Speaker cable 10m
- 1 EP5 Speaker cable 20m

FOH CONTROL + OUTBOARD

- 2 XTA GQ 600 Dual Channel Graphic EQ
- 2 Drawmer DS201 Dual Channel Gate
- 3 XTA C2 Dual Digital Compressor
- 1 TC Electronic Reverb 4000
- 1 Yamaha SPX990 Effects Unit
- 1 TC Electronic Stereo Delay
- 1 Soundcraft 24+2/4/2 Mixing Desk
- 1 13A - IEC Mains Lead

MONITOR CONTROL + OUTBOARD

- 1 Soundcraft 24+4/8/2 Mixing Desk
- 1 13A - IEC Mains Lead
- 3 XTA GQ 600 Dual Channel Graphic EQ
- 1 XTA C2 Dual Digital Compressor
- 1 TC Electronic Reverb 4000

LINE SYSTEM + MULTI'S

- 2 12-way Ceep Cable 5m
- 2 12-way Ceep Cable 10m
- 2 12-way Ceep Cable 15m
- 1 12-way Ceep Cable 50m (on drum)
- 4 12-way Ceep Sub-box
- 1 Veam 48pr 100m multicore System
- 1 Veam 48pr Stage Box
- 1 WH 15U Stagebox / Splits Rack
- 1 Veam 48pr Tailset 3m
- 1 Veam 48pr Tailset 6m

MAINS DISTRO + STAGE MAINS

- 4 16A - 8x13A Distribution Box
- 2 32A - 8x13A Distribution Box
- 1 63A (1ph) to 4 x 32A, 4 x 16A Distro
- 2 16A - Powercon mains cable